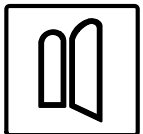
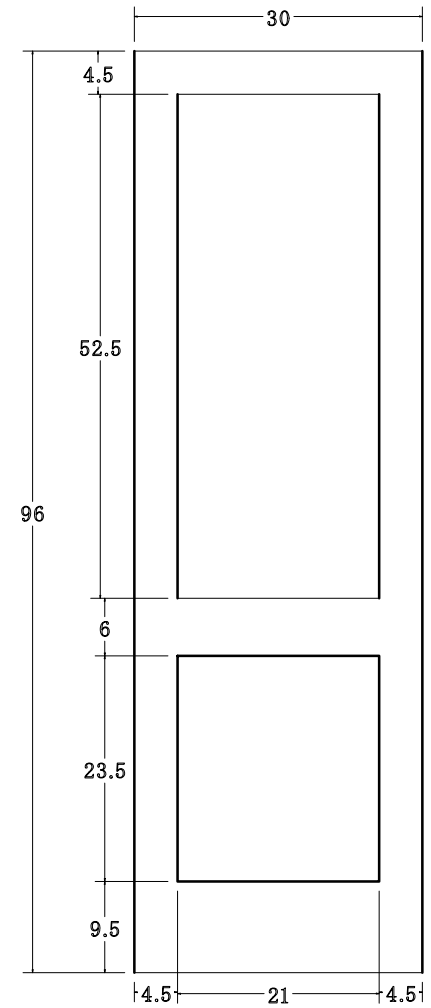
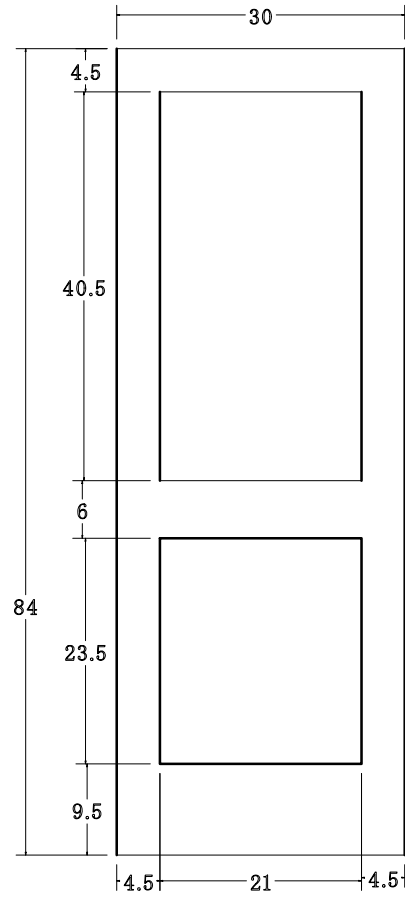
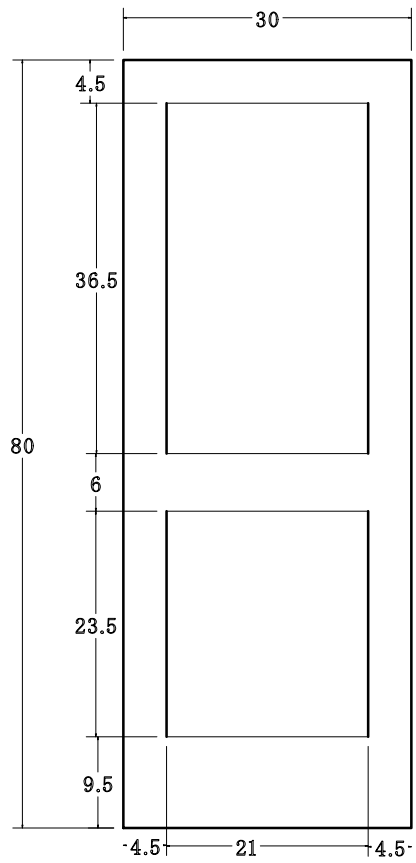


**DOOR  
WORKS**  
COMPANY

Edenton

DRAWING DATE	
DRAWN BY	
APPROVED BY	
REVISION DATE	
FILE NAME	



**DOOR  
WORKS**  
COMPANY

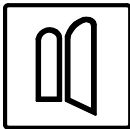
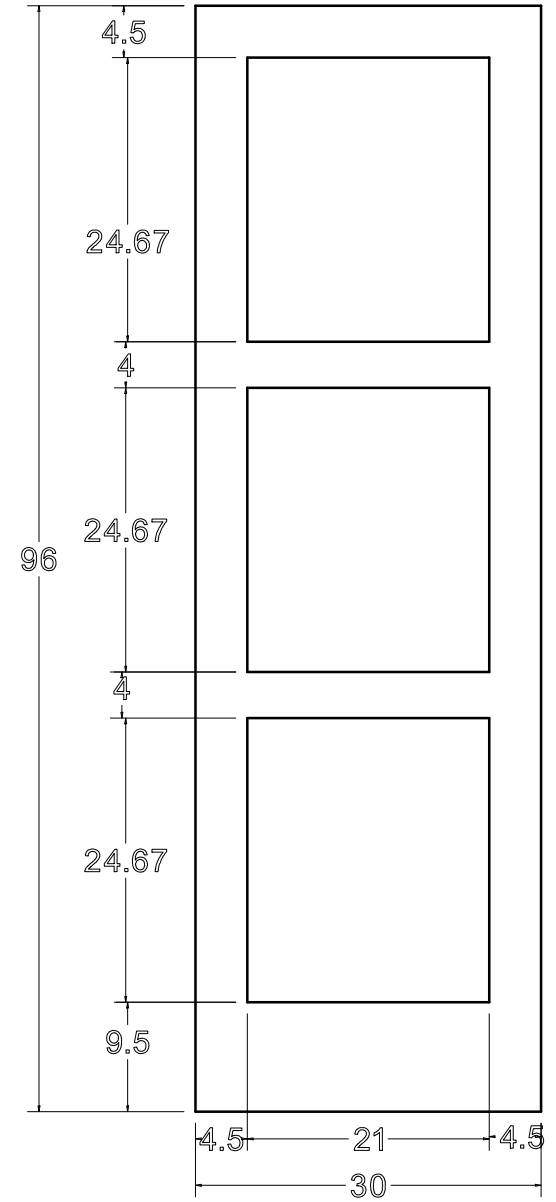
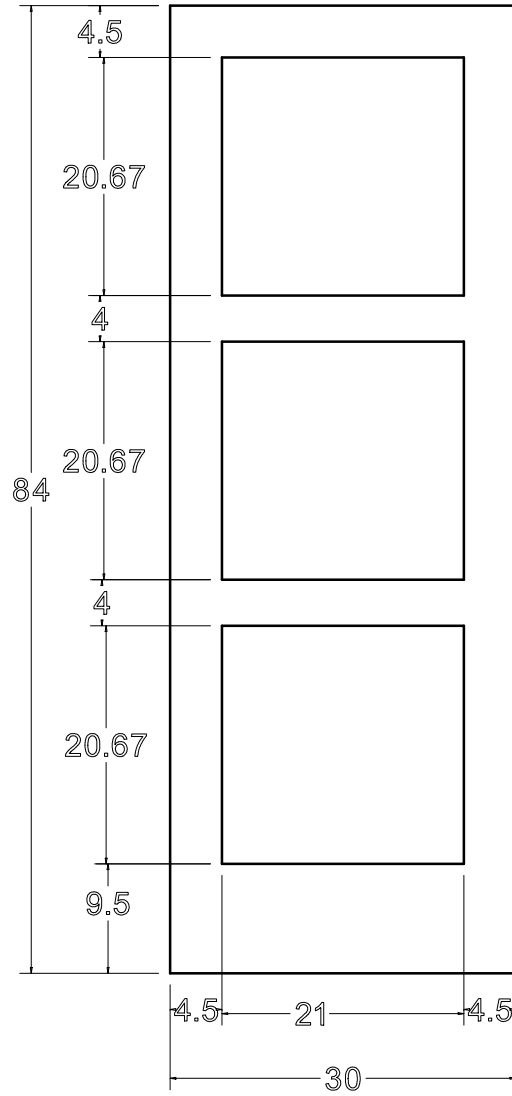
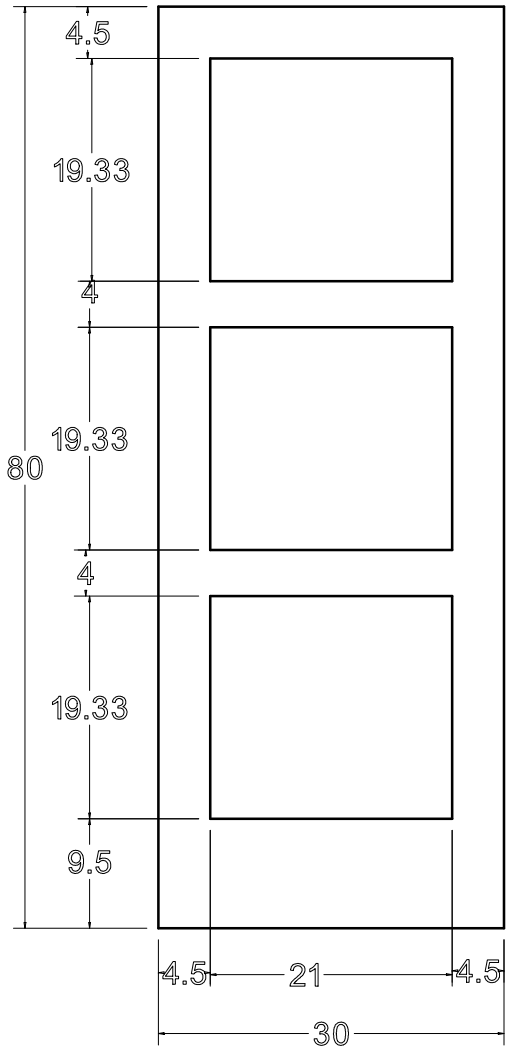
Manteo

DRAWING DATE: 05/2011

DRAWN BY:

APPROVED BY:

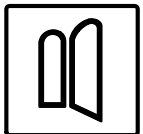
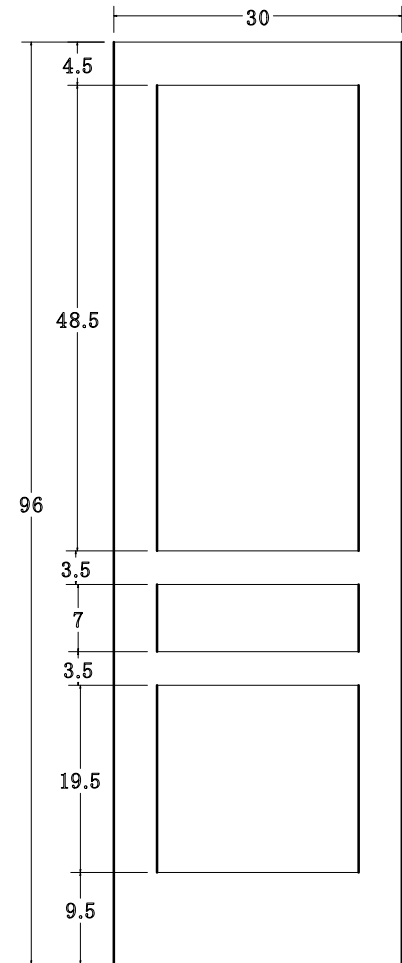
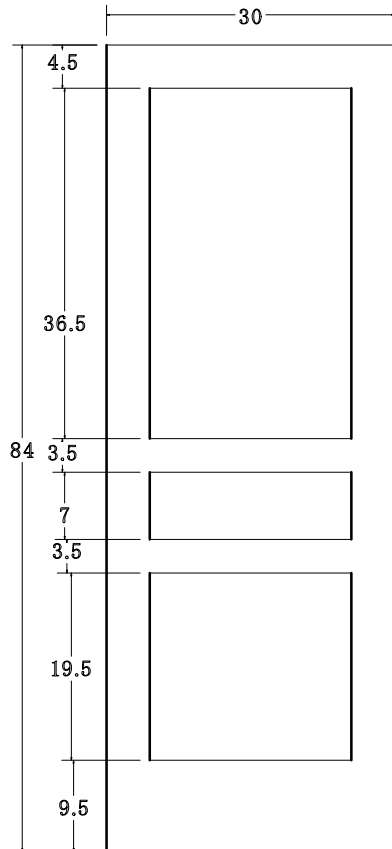
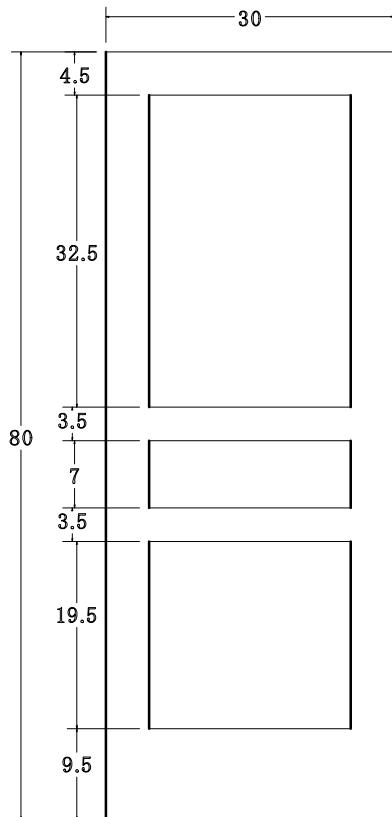
FILE NAME:



**DOOR  
WORKS**  
COMPANY

Ashemore

DRAWING DATE	
DRAWN BY	
APPROVED BY	
REVISION DATE	
FILE NAME	



**DOOR  
WORKS**  
COMPANY

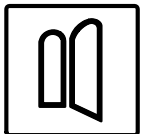
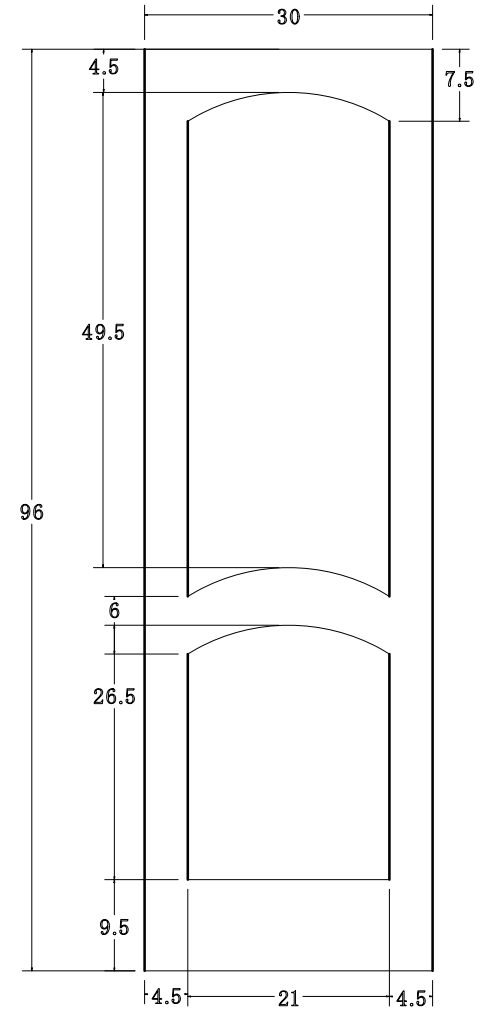
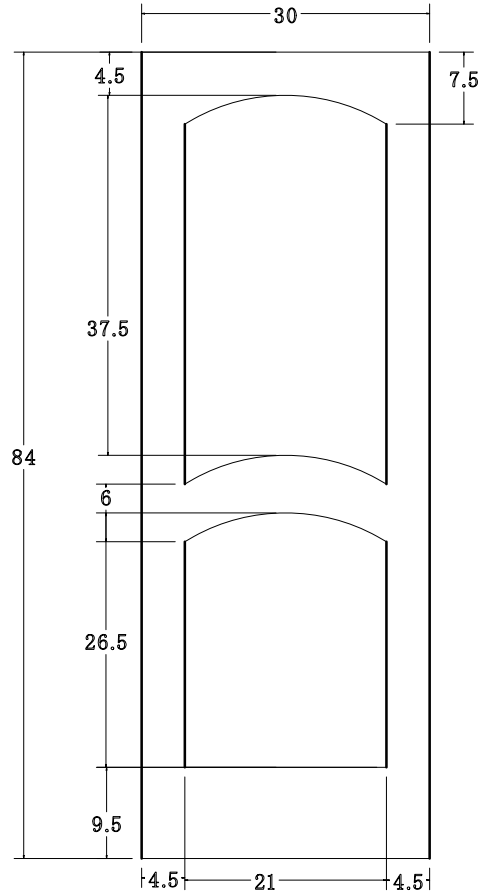
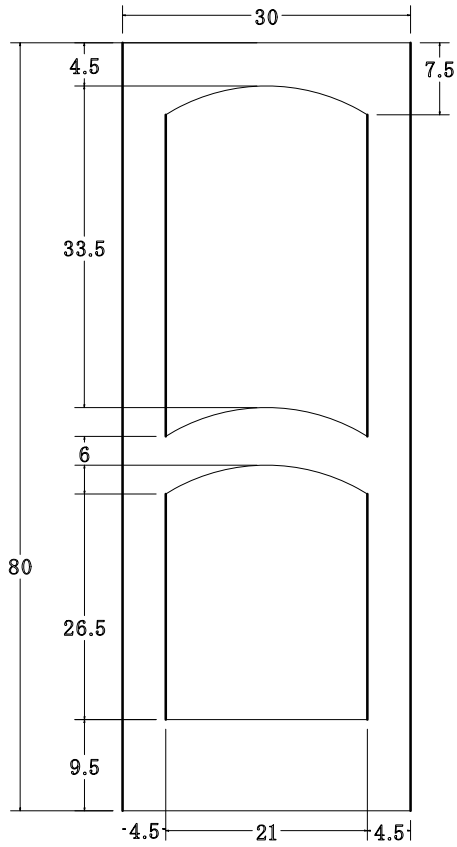
Vineyard

DRAWING DATE: 05/2011

DRAWN BY:

APPROVED BY:

FILE NAME:



**DOOR  
WORKS  
COMPANY**

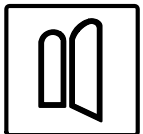
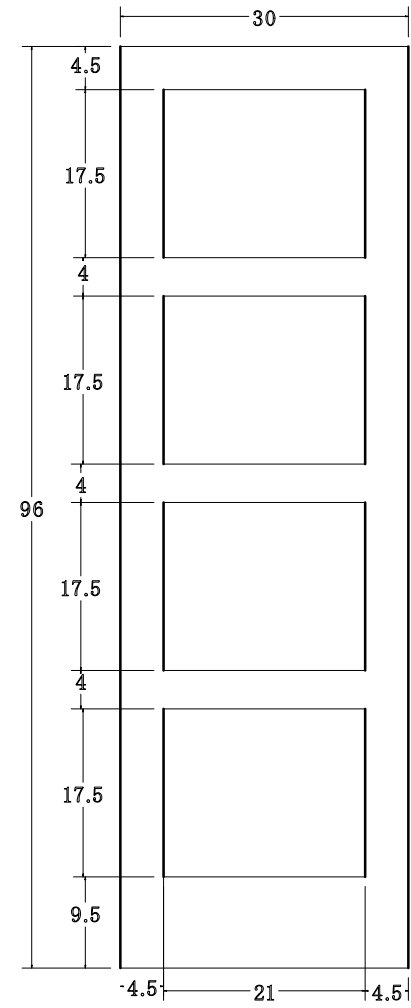
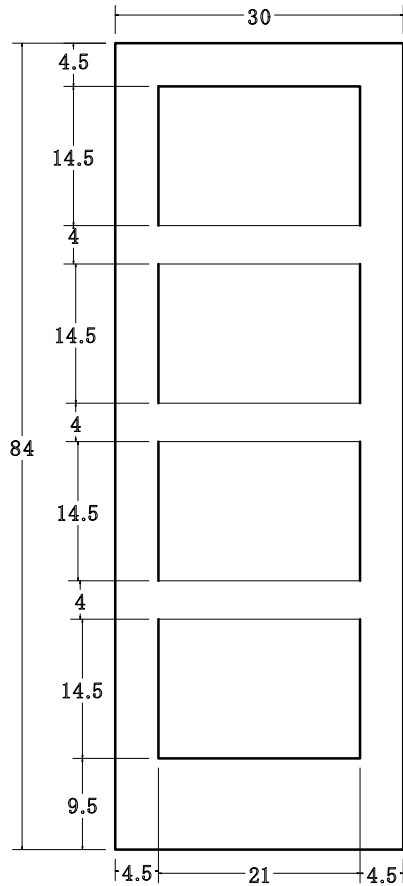
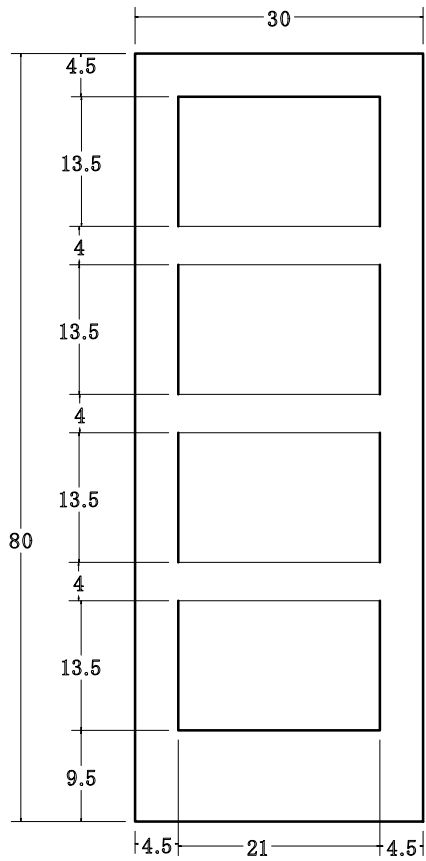
Camilla

DRAWING DATE: 05/2011

DRAWN BY:

APPROVED BY:

FILE NAME:



**DOOR  
WORKS**  
COMPANY

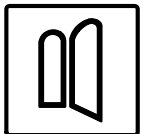
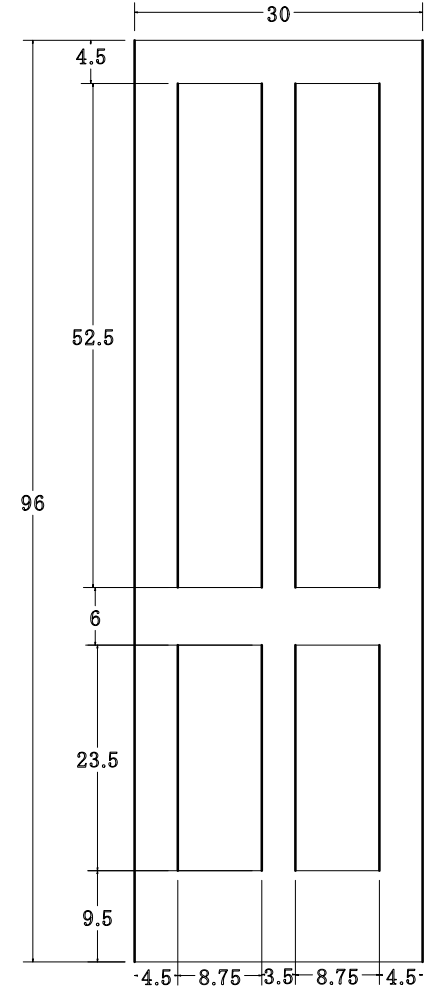
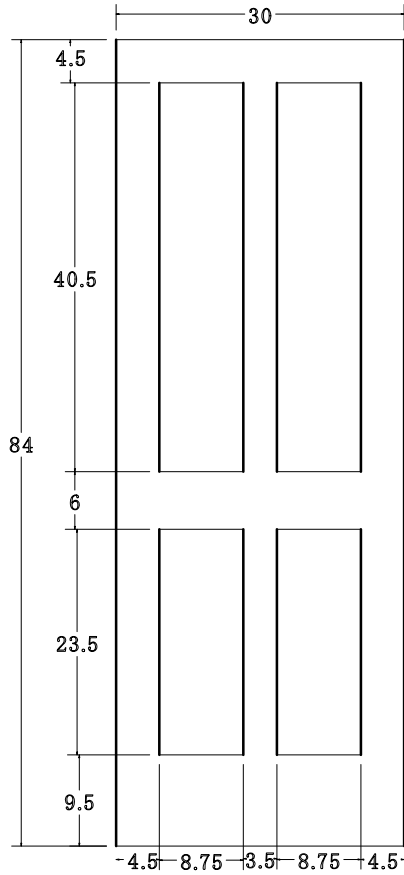
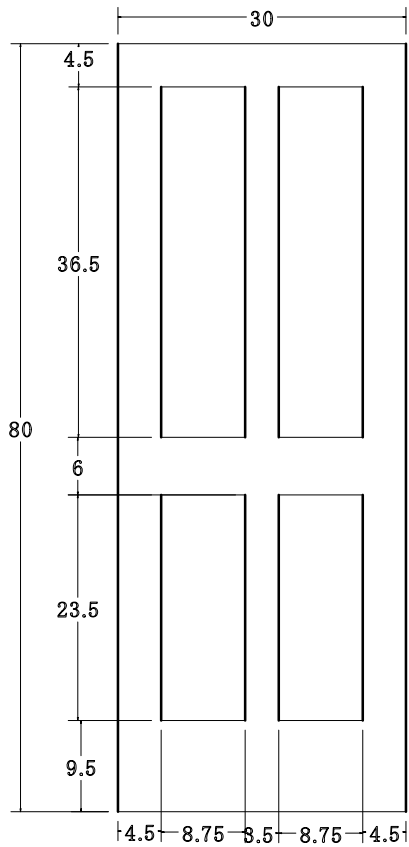
Portsmouth - 4 Panel

DRAWING DATE: 06/2011

DRAWN BY:

APPROVED BY:

FILE NAME:



**DOOR  
WORKS**  
COMPANY

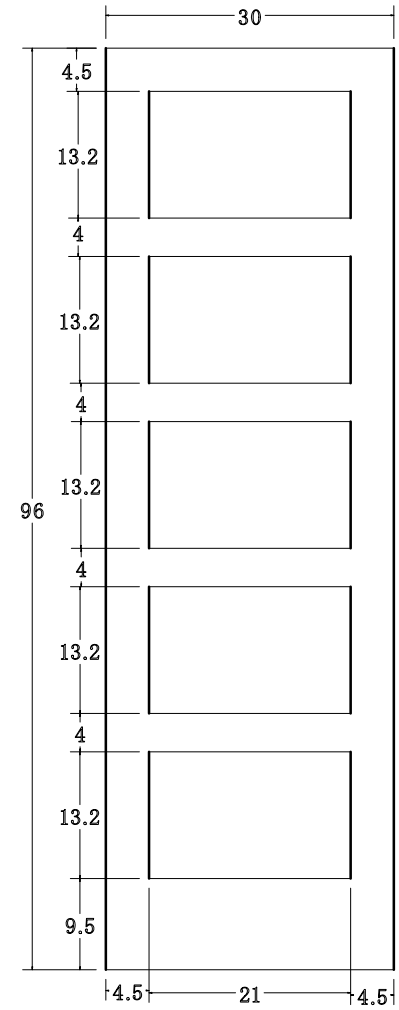
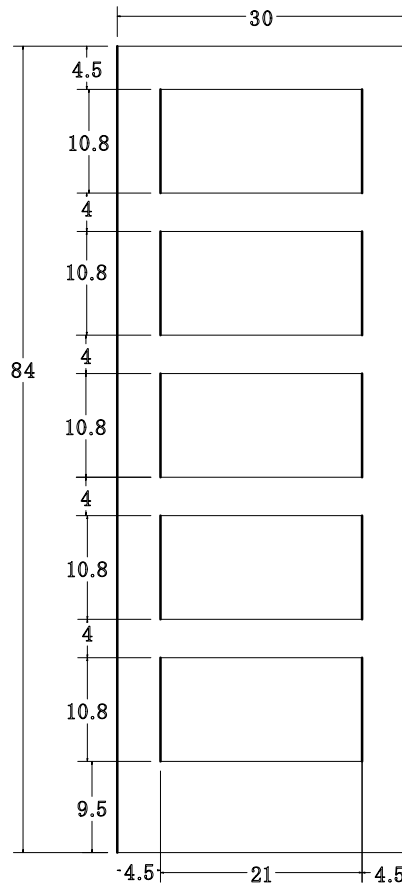
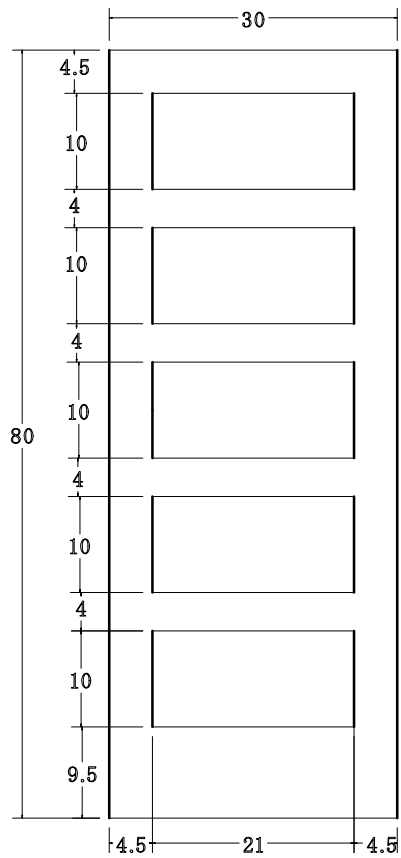
Virginia

DRAWING DATE: 05/2011

DRAWN BY:

APPROVED BY:

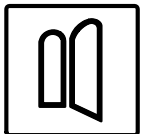
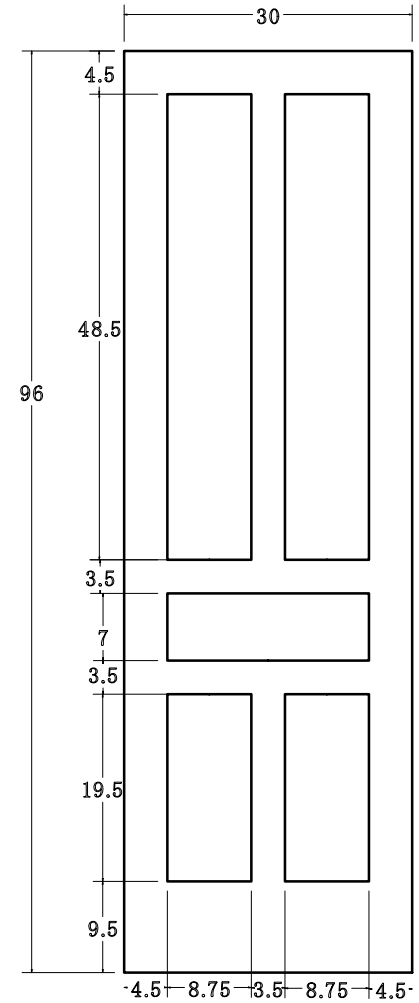
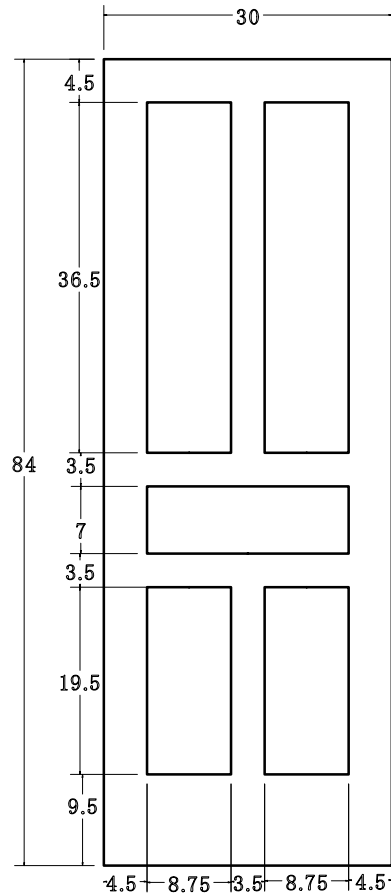
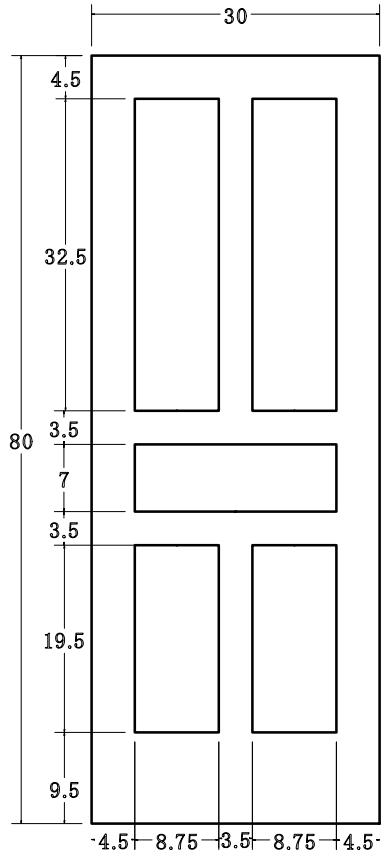
FILE NAME:



Portsmouth - 5 Panel

DRAWING DATE:	05/2011
DRAWN BY:	
APPROVED BY:	
FILE NAME:	





**DOOR  
WORKS**  
COMPANY

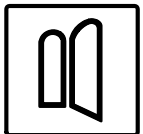
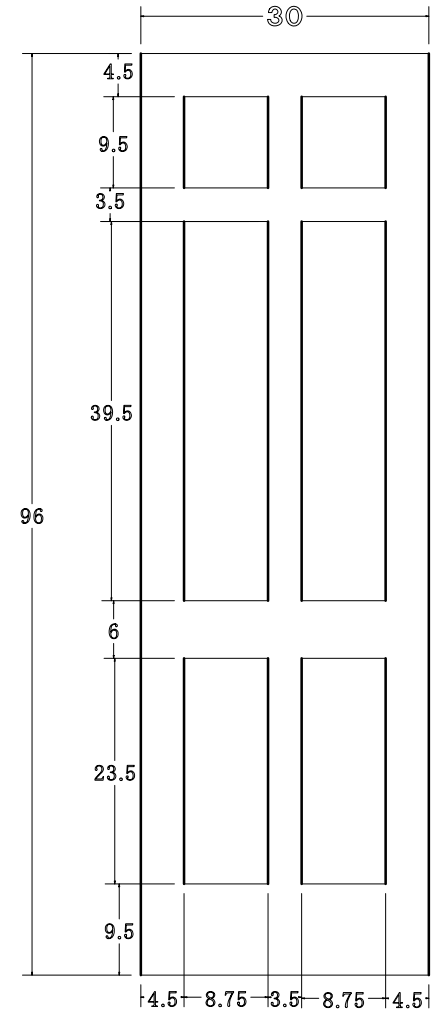
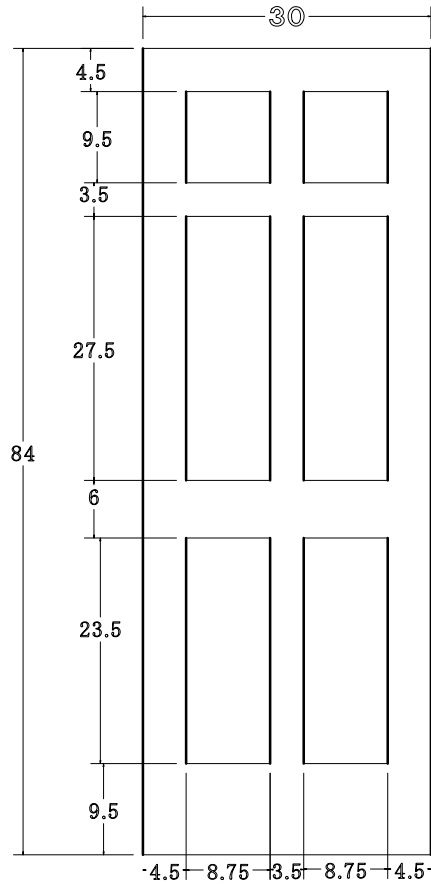
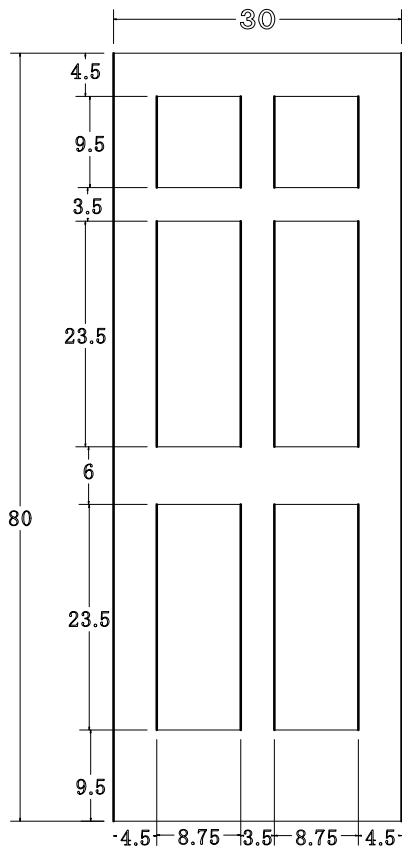
Suffolk

DRAWING DATE: 06/2011

DRAWN BY:

APPROVED BY:

FILE NAME:



**DOOR  
WORKS**  
COMPANY

Essex

DRAWING DATE: 05/2011

DRAWN BY:

APPROVED BY:

FILE NAME: